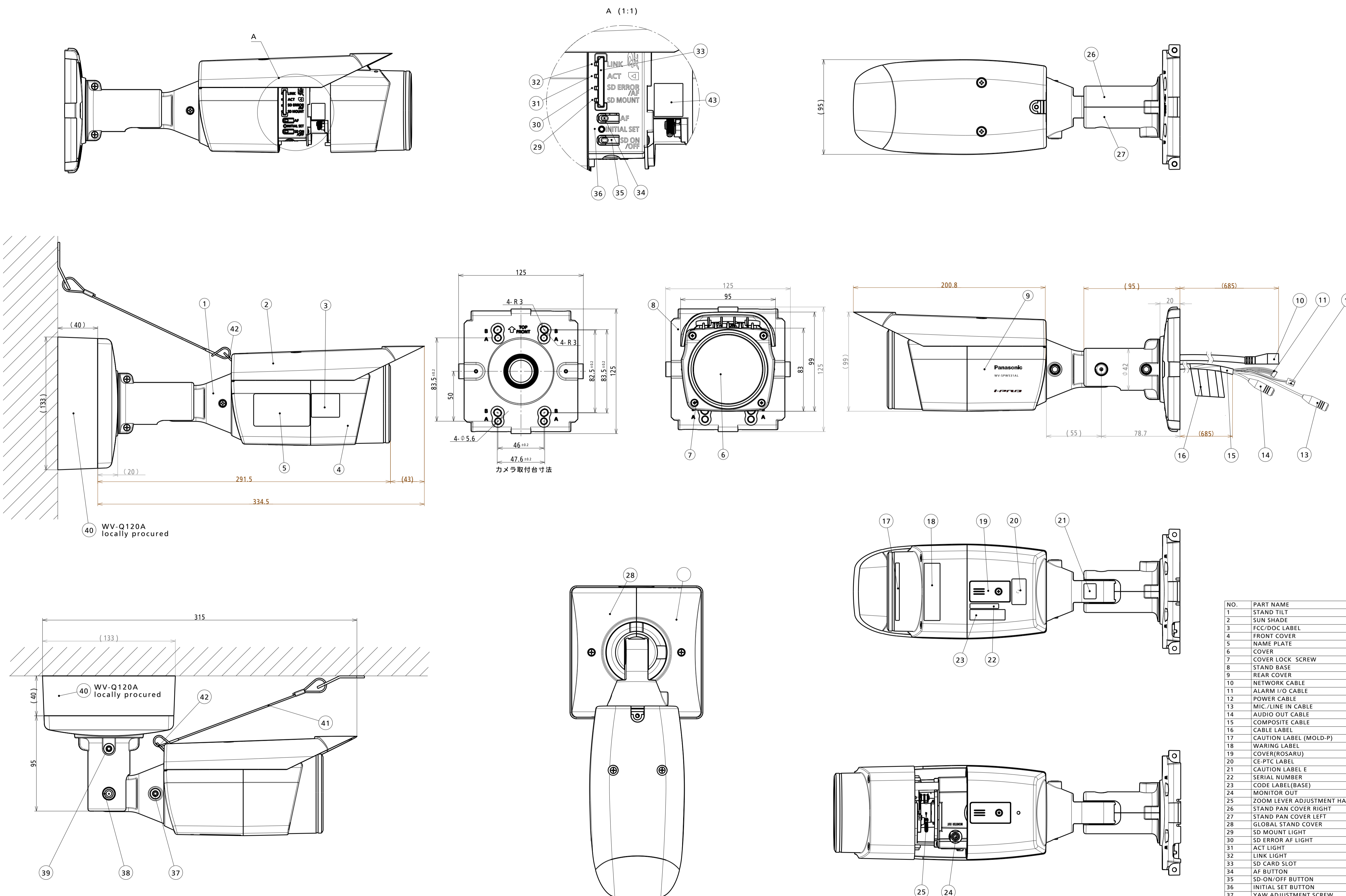


	Projected area
Top-View	0.020 (㎡)
Side-View	0.025 (㎡)

Except the Adapter box



NO.	PART NAME	MATERIALS	PROCESS AND OTHERS
1	STAND TILT	Aluminume Die Casting	coating(Silver metallic)
2	SUN SHADE	PC + ABS	coating(Silver metallic)
3	FCC/DOC LABEL		PRINTING
4	FRONT COVER	Aluminume Die Casting	coating(Silver metallic)
5	NAME PLATE		PRINTING
6	COVER	PC	coating(Silver metallic)
7	COVER LOCK SCREW	SUS304	
8	STAND BASE	Aluminume Die Casting	coating(Silver metallic)
9	REAR COVER	Aluminume Die Casting	coating(Silver metallic)
10	NETWORK CABLE		
11	ALARM I/O CABLE		
12	POWER CABLE		
13	MIC./LINE IN CABLE		WHITE
14	AUDIO OUT CABLE		BLACK
15	COMPOSITE CABLE		
16	CABLE LABEL	POLYESTER FILM	PRINTING
17	CAUTION LABEL (MOLD-P)	POLYESTER FILM	PRINTING
18	WARING LABEL	POLYESTER FILM	PRINTING
19	COVER(ROSARU)	PC + ABS	
20	CE-PTC LABEL		PRINTING
21	CAUTION LABEL E		PRINTING
22	SERIAL NUMBER		PRINTING
23	CODE LABEL(BASE)		PRINTING
24	MONITOR OUT		
25	ZOOM LEVER ADJUSTMENT HADLE	SUS303	
26	STAND PAN COVER RIGHT	Aluminume Die Casting	coating(Silver metallic)
27	STAND PAN COVER LEFT	Aluminume Die Casting	coating(Silver metallic)
28	GLOBAL STAND COVER	PC+ABS	coating(Silver metallic)
29	SD MOUNT LIGHT		
30	SD ERROR AF LIGHT		
31	ACT LIGHT		
32	LINK LIGHT		
33	SD CARD SLOT		
34	AF BUTTON		
35	SD-ON/OFF BUTTON		
36	INITIAL SET BUTTON		
37	YAW ADJUSTMENT SCREW	SUS304	
38	TILT ADJUSTMENT SCREW	SUS304	
39	PAN ADJUSTMENT SCREW	SUS304	
40	ADAPTER BOX	Aluminume Die Casting	coating(Silver metallic)
41	SAFETY WIRE		
42	MOUNT ANGLE(BOX WALL)	SUS304	
43	CHANGE TO PAL LABEL		PRINTING

Unit:mm

WV-SPW531AL