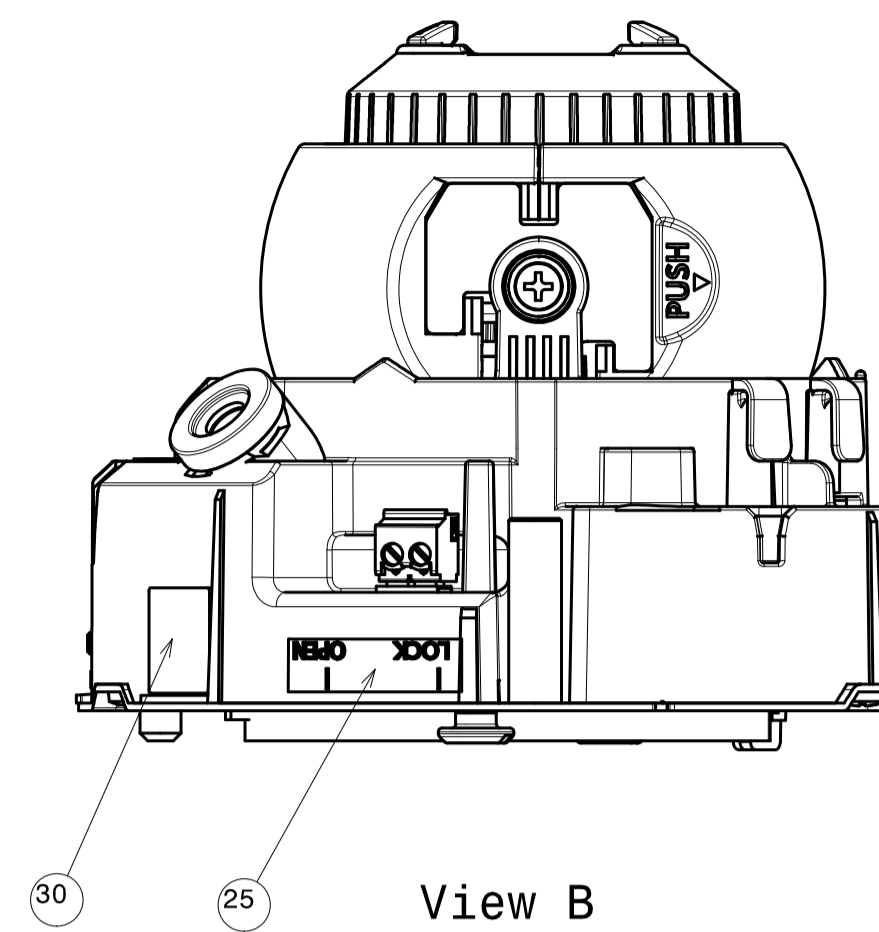
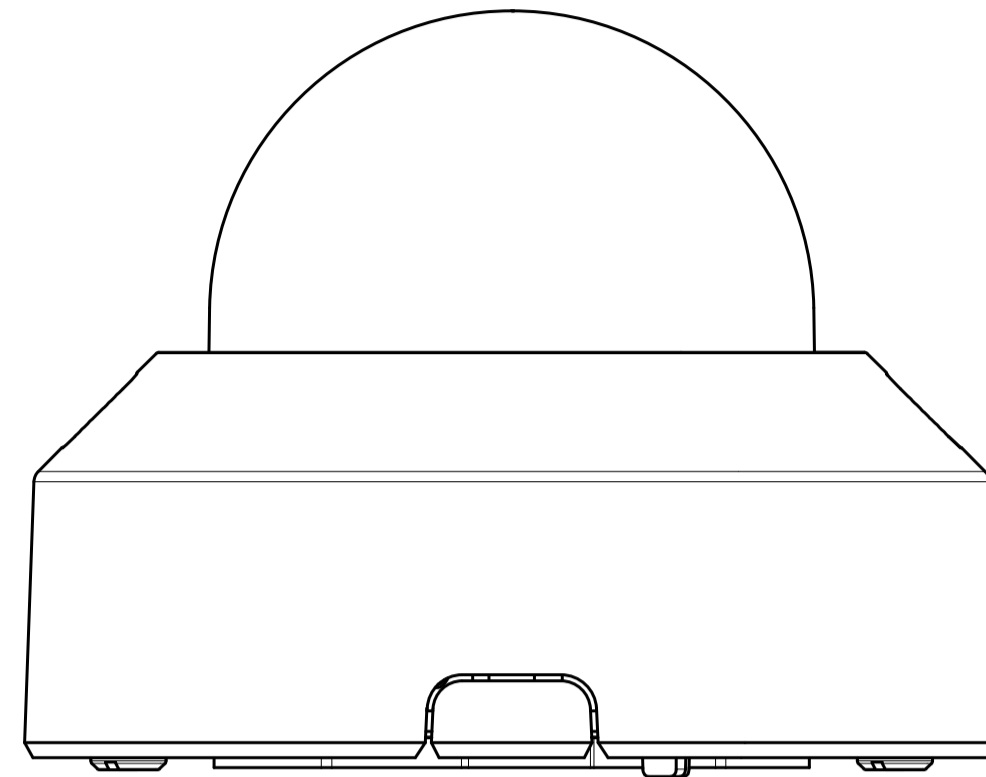
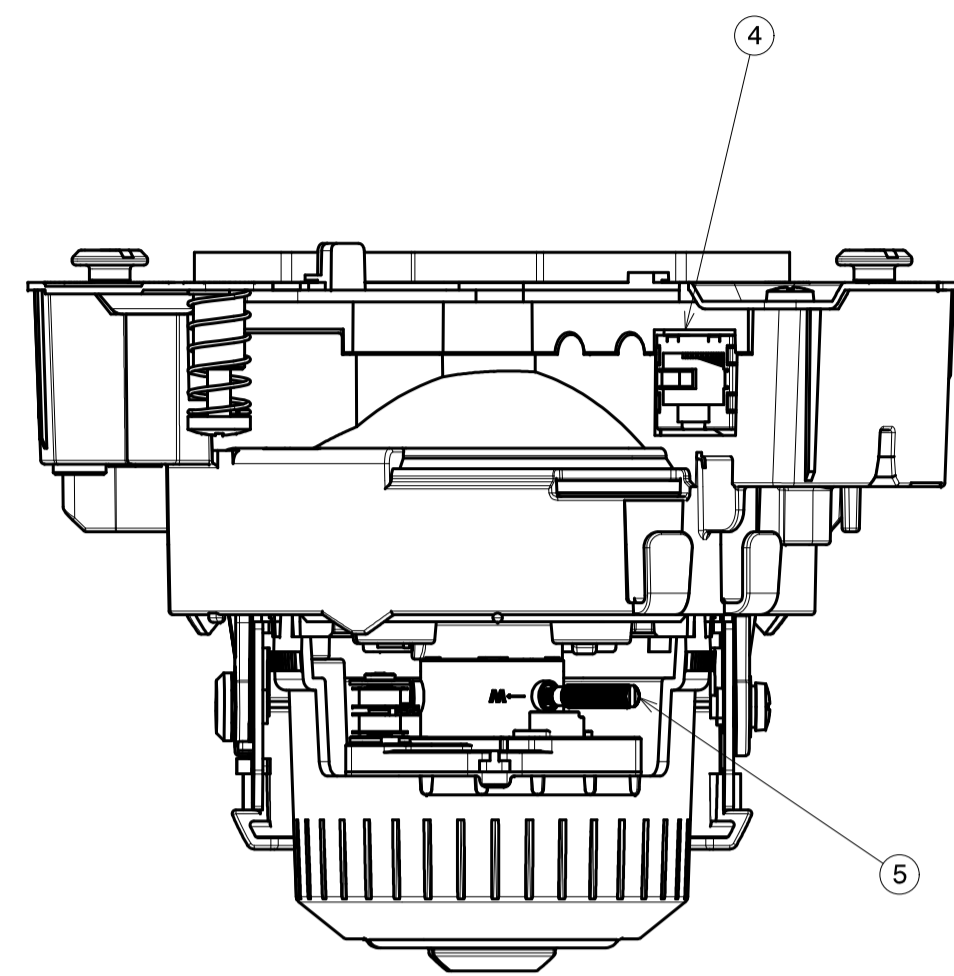
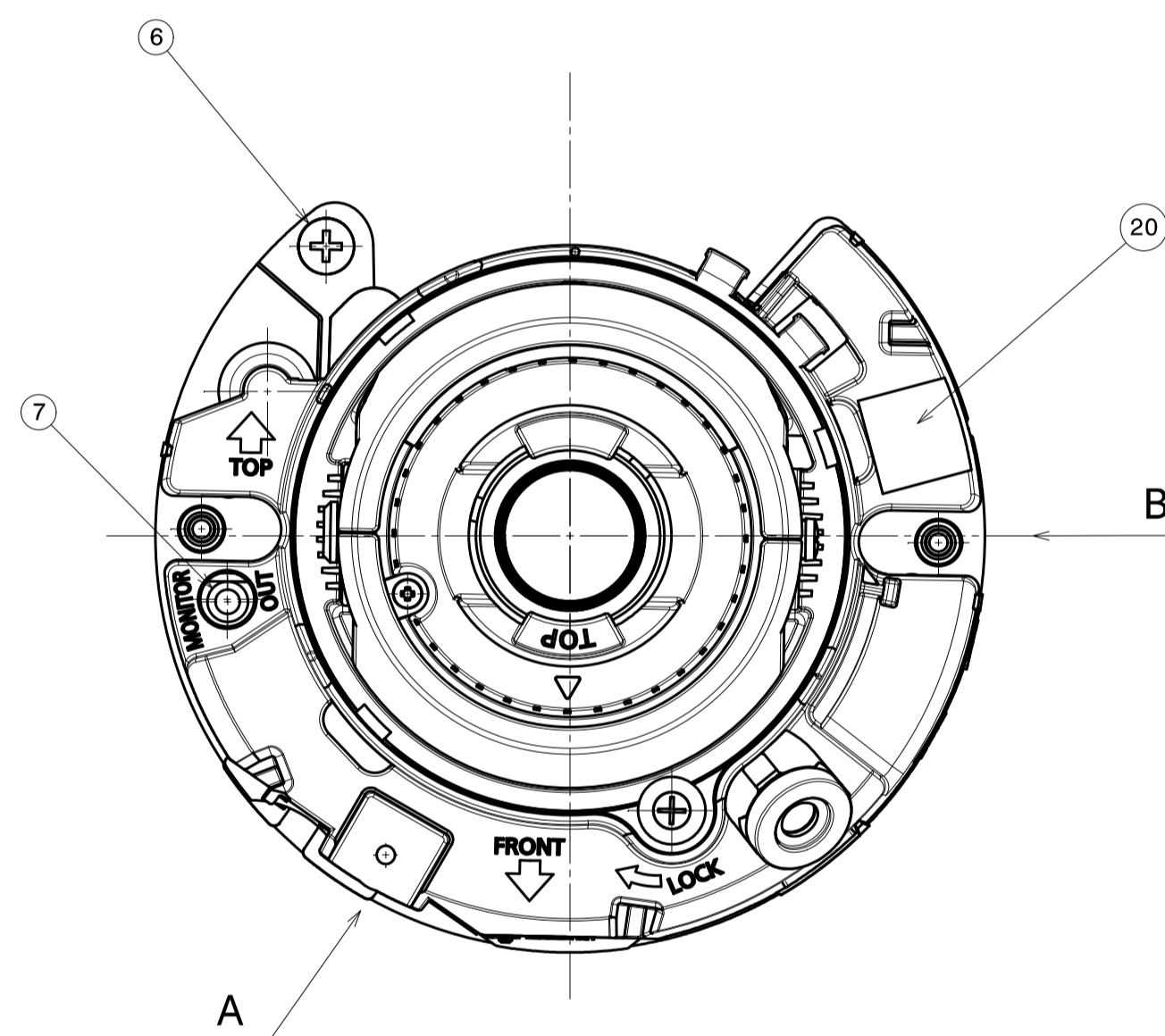


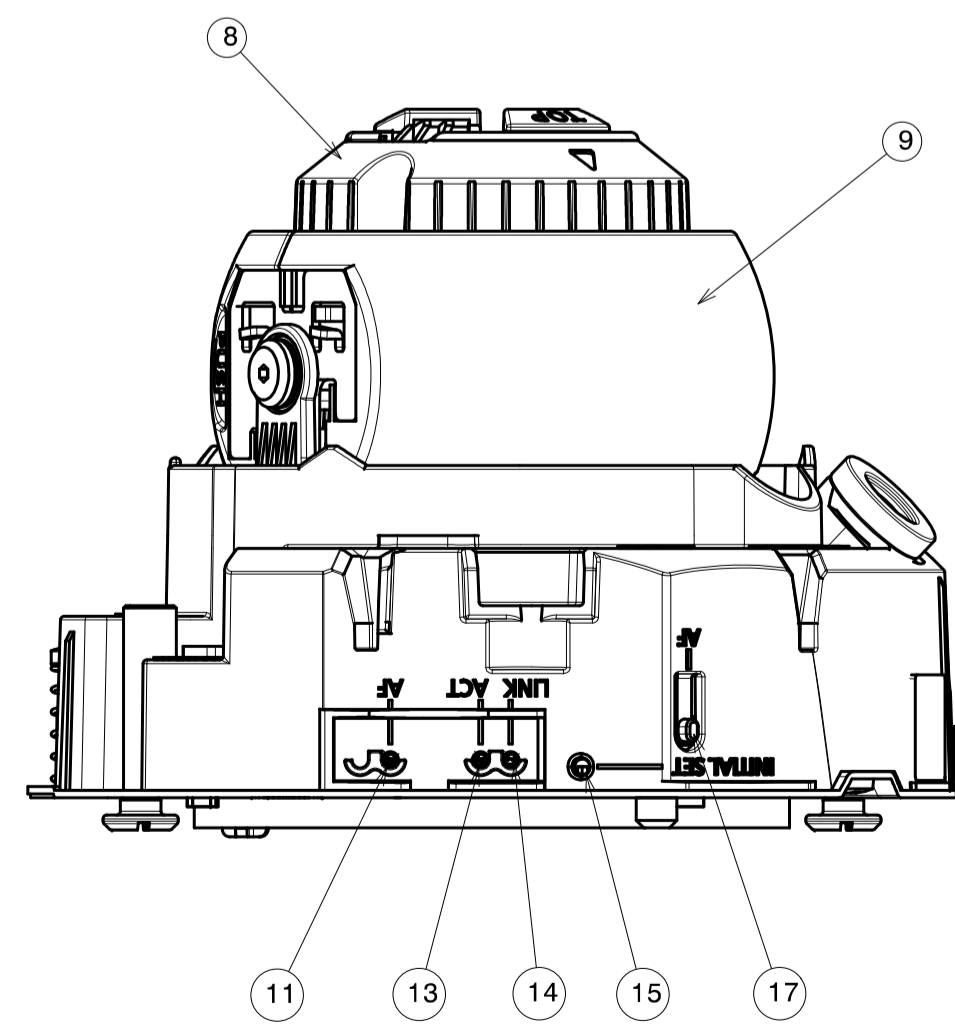
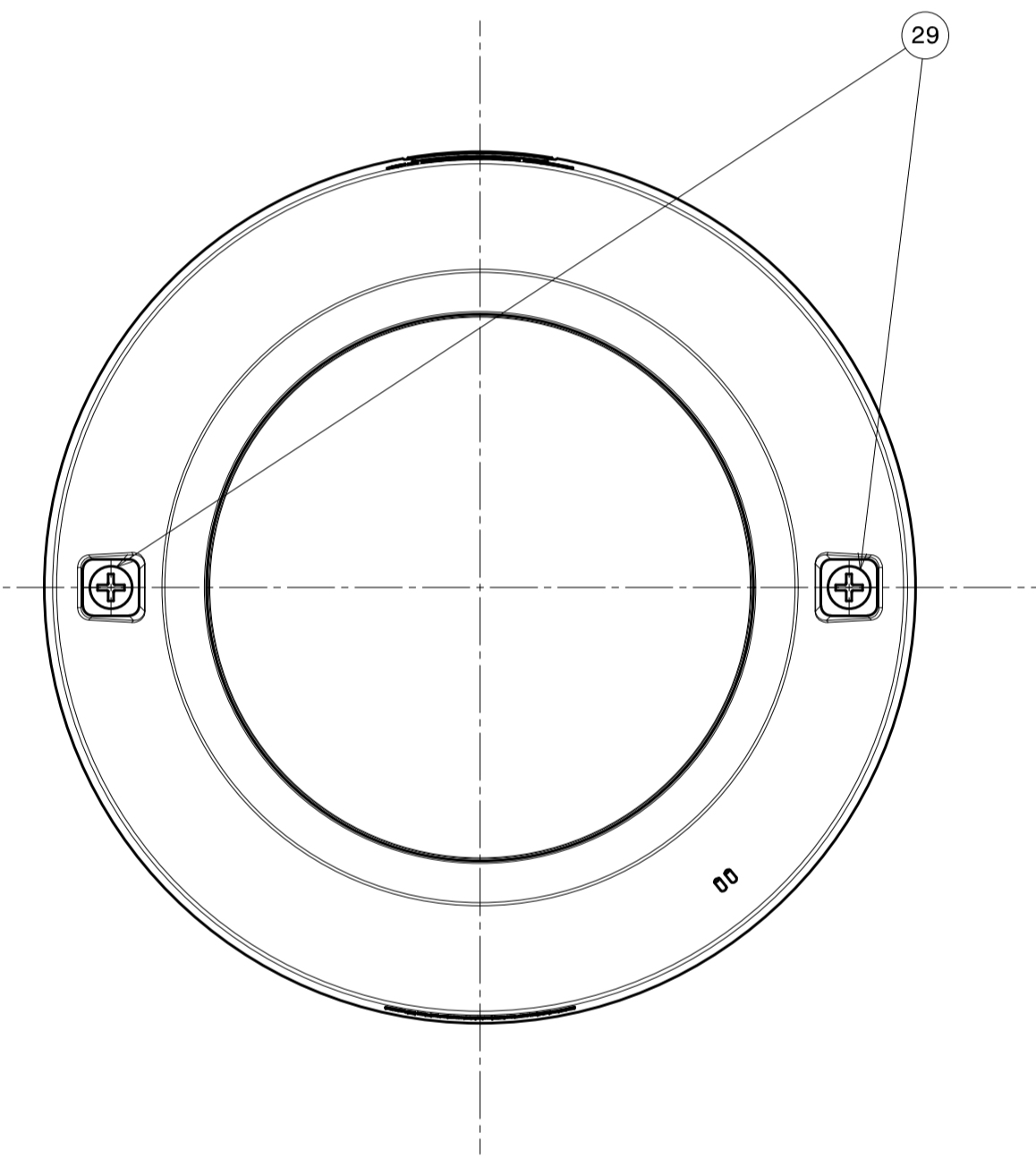
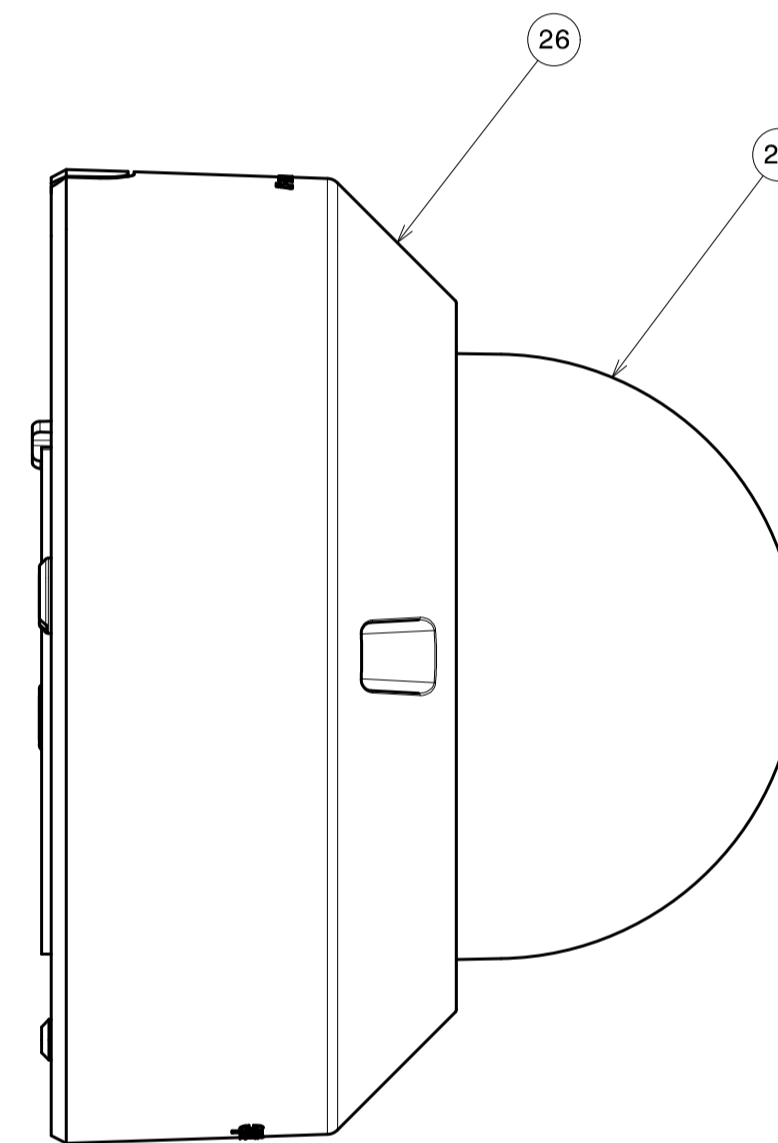
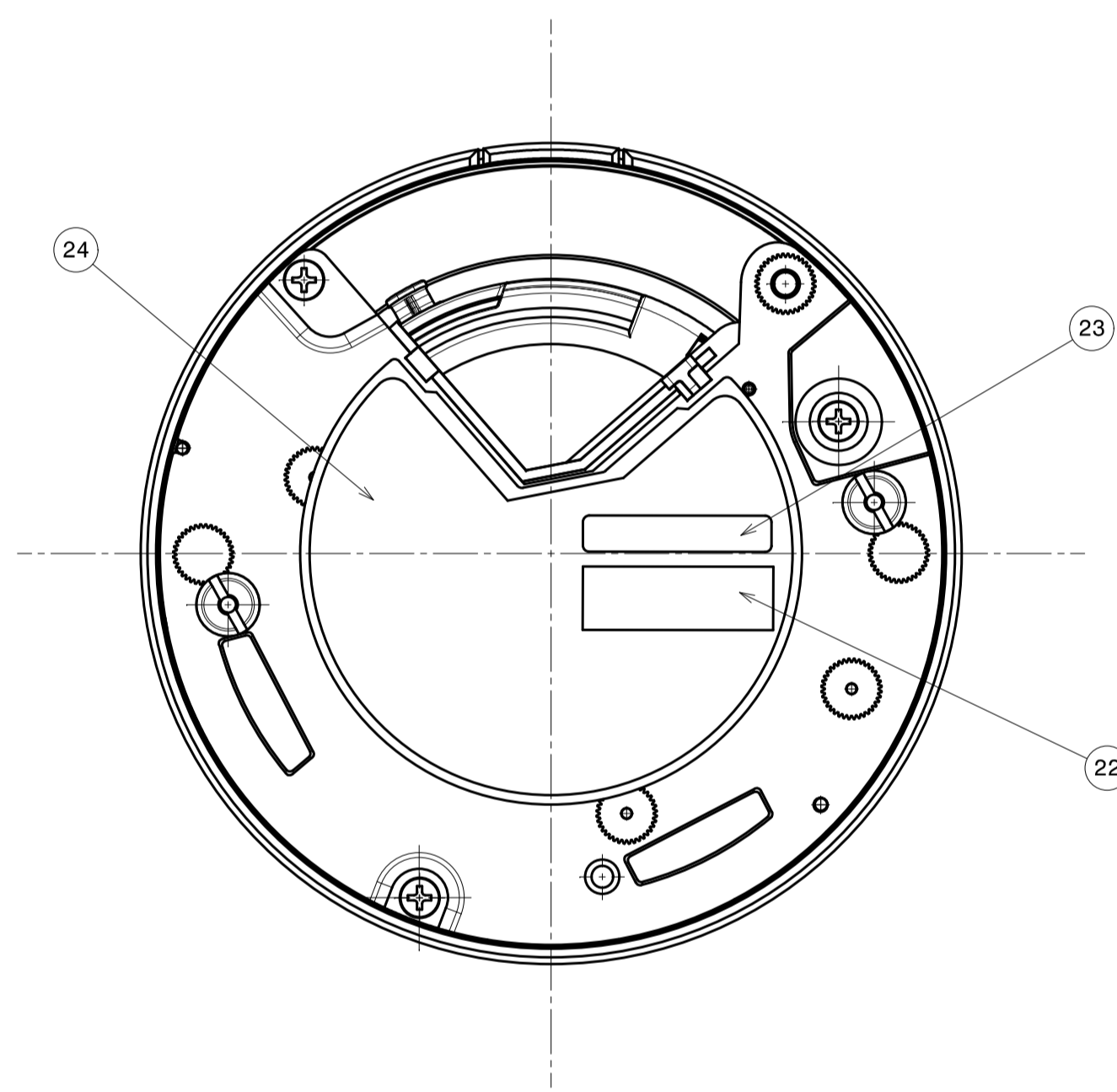
No.	Part Name	Material	Process.Remark
1			
2			
3			
4	RJ45 Connector		
5	Zoom Knob		
6	Wall Fitting Screw	Stainless steel	
7	Monitor Out Jack		
8	LENS COVER	PBT	
9	Inner Cover	PC	
10			
11	AF LED		
12			
13	ACT LED		
14	LINK LED		
15	Initial Set Button		
16			
17	AF Button(AF)		
18			
19			
20	Data Matrix Label	Polyester Fil	Printing
21			
22	Mac Code Label		
23	Serial No. Label	Polyester Fil	Printing
24	Name Plate	Polyester Fil	Printing
25	Open-Lock Label	Polyester Fil	Printing
26	Enclosure	ABS (Sail White)	
27	Clear Dome Cover	PMMA With a Protection Film	
28	Attachment Plate	Stainless Steel	
29	Top Cover Lock Screw	Steel	
30	PAL Switch Label	Polyester Fil	Printing



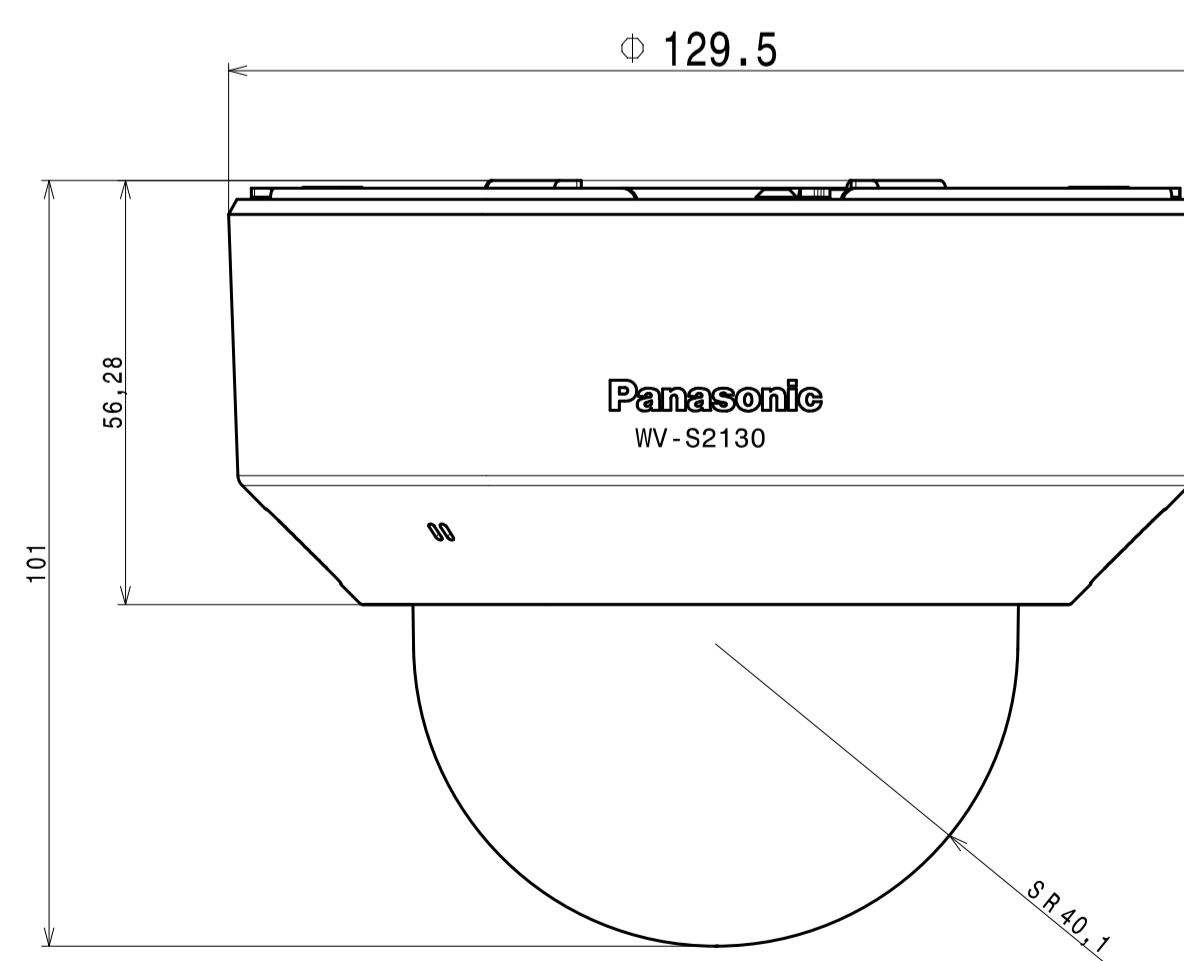
View B



A



View A



With Attachment Plate

